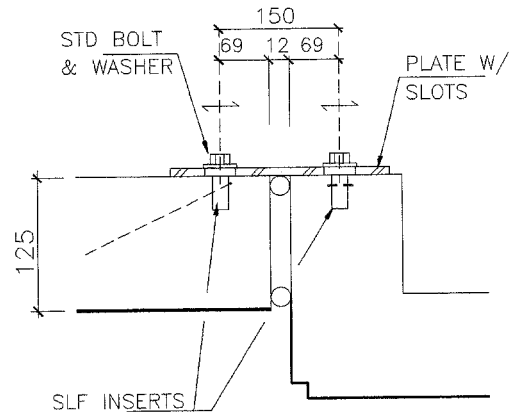


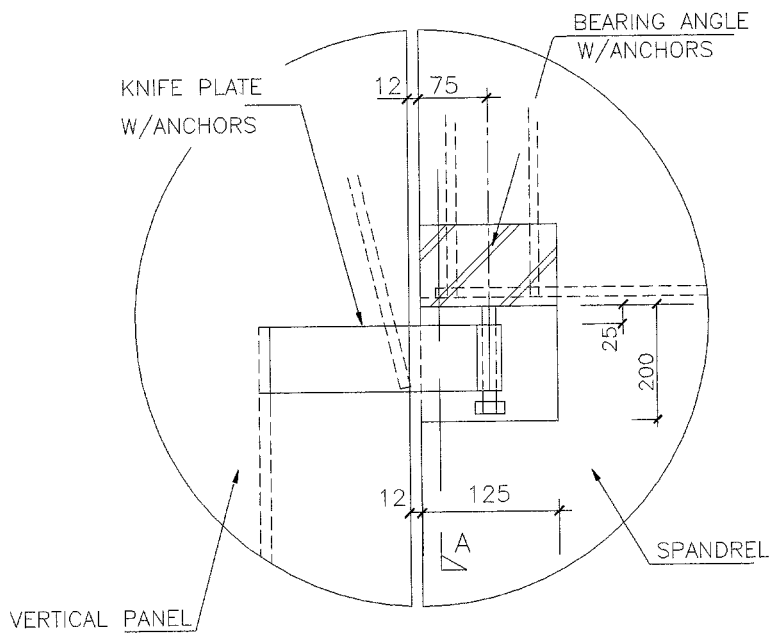
Section



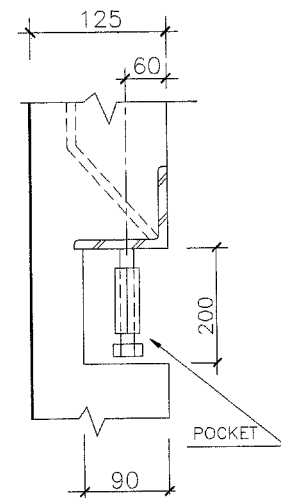
Plan

**Load Bearing and Lateral Connection
Conn D-1
(Column & Sill Gravity)**

**Panel to Panel Connection
Conn D-2
(Sill Lateral)**



Back View



Section A

**Conn D-5
(Spandrel Gravity)**

Load Bearing