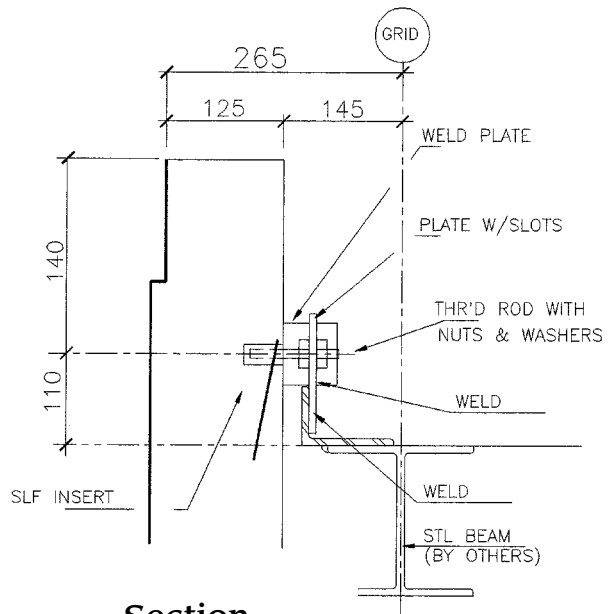


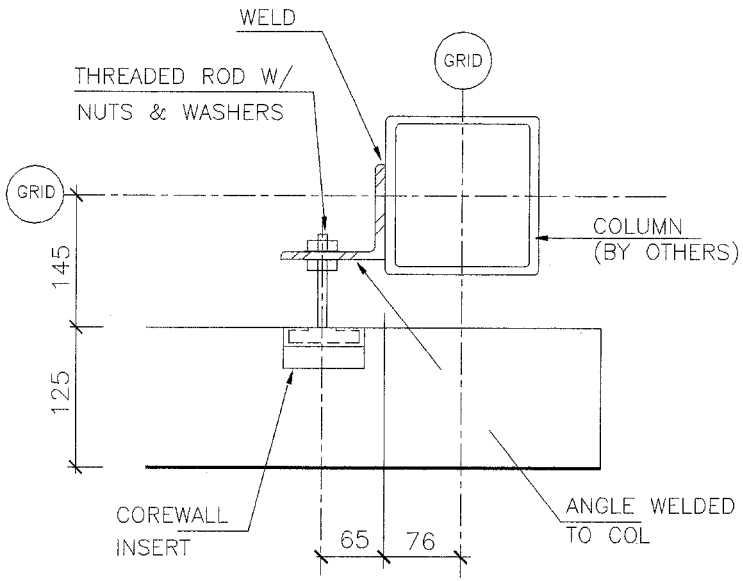
Plan

Panel to Panel Connection
Conn D-3
 (Spandrel Lateral)



Section

Conn D-4
 (Top Lateral)



Plan

Conn D-6
 (Mid-Span Lateral)

All connections shown
 are to be used for
 concept design only.

Connection Details for Architectural Precast Panels Connected to a Steel Structure

© CPCI—No design guide can substitute for experience and professional judgement. These details are intended for use by professional personnel competent to evaluate the significance and limitations of their contents and able to accept responsibility for the application of the material it contains. Please contact the CPCI member nearest you for detailed information and the CPCI Web Site *Discussion Forum* with questions or suggestions for improvement.