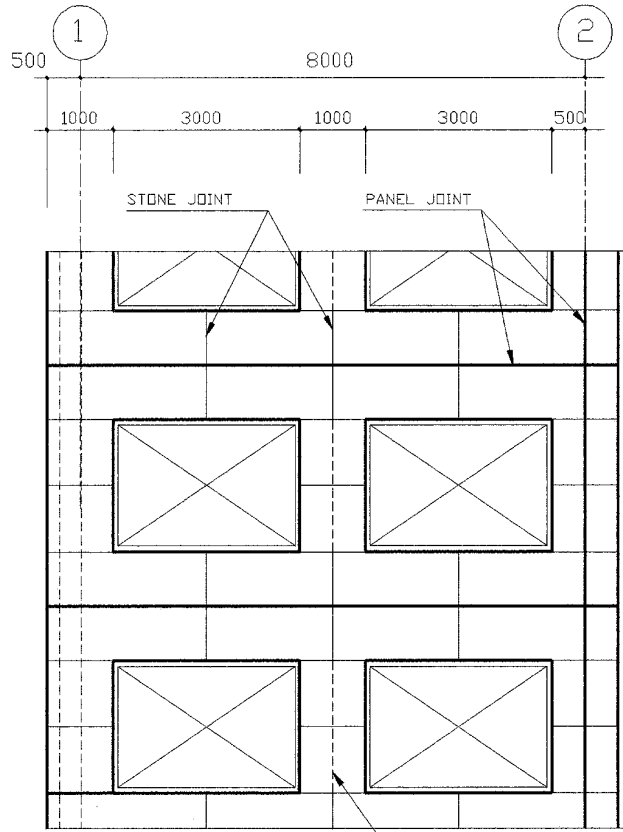
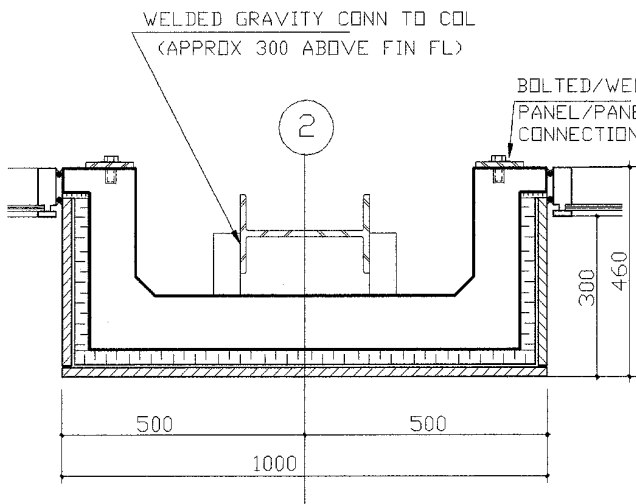


Part Elevation - Alternate 1

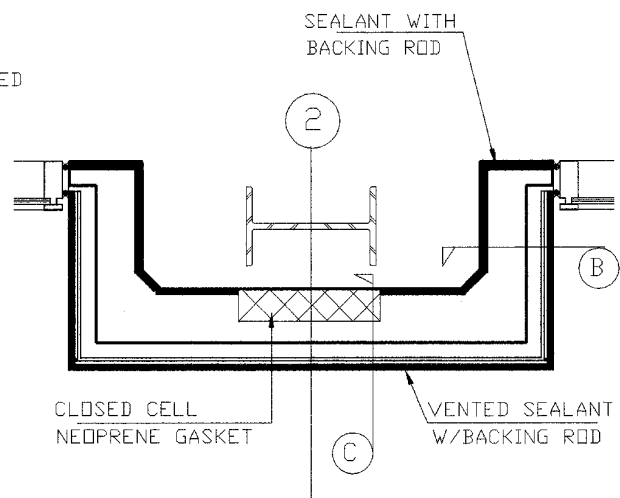


Part Elevation - Alternate 2



Plan

(A)



Plan at Joint