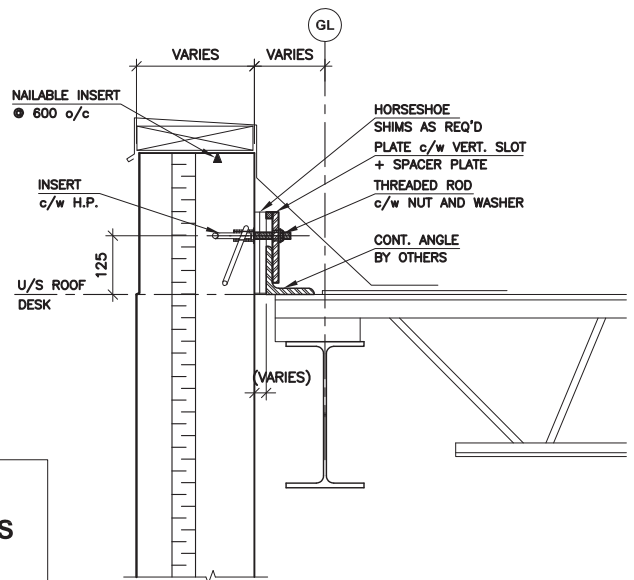
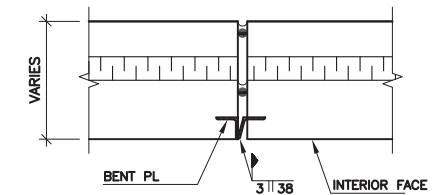


SECTION
BOTTOM LATERAL
(CONNECTION D-1)

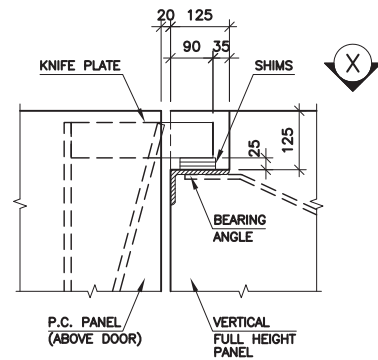
NOTE: ALL CONNECTIONS SHOWN ARE FOR CONCEPT DESIGN ONLY



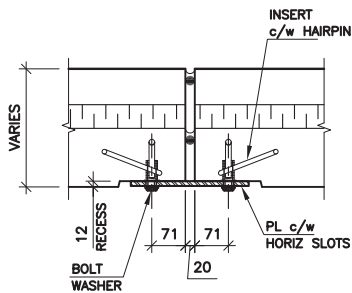
SECTION
TOP LATERAL
(CONNECTION D-2)



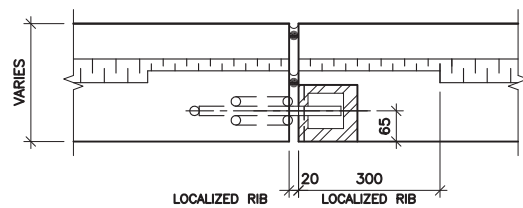
PLAN DETAIL
CONCEALED MID-HEIGHT LATERAL
(CONNECTION D-3)



BACK ELEVATION
LOAD BEARING AT OVERHEAD DOOR
(CONNECTION D-5)



PLAN DETAIL
PANEL TO PANEL MID-HEIGHT LATERAL
(CONNECTION D-4)



PLAN DETAIL
LOAD BEARING AT OVERHEAD DOOR
(CONNECTION D-5)

DISCLAIMER: The Canadian Precast/Prestressed Concrete Institute cannot accept responsibility of any errors or oversights in the use of this material or in the preparation of architectural or engineering plans. The design professional must recognize that this detail is intended for use by professional personnel competent to evaluate the significance and limitations of its contents and be able to accept responsibility for the application of the material it contains. Users are encouraged to offer comments to the Canadian Precast/Prestressed Concrete Institute on the content and suggestions for improvement. Questions regarding the information found in this detail should be directed to the Canadian Precast/Prestressed Concrete Institute.



CANADIAN PRECAST/PRESTRESSED CONCRETE INSTITUTE

IWP-4