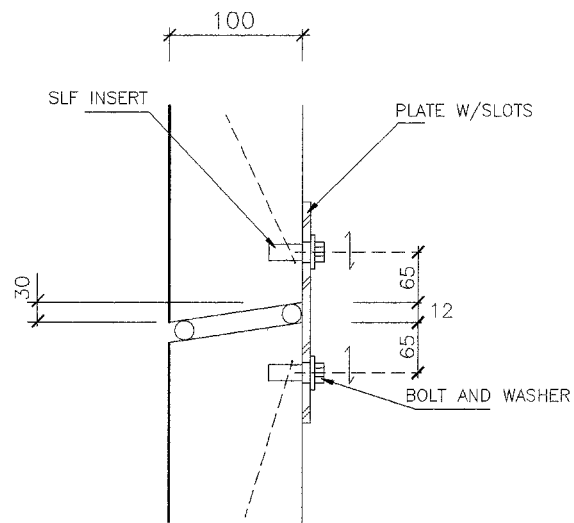


Plan

**Panel to Panel Conn
Conn D-3**



Section

**Panel to Panel Conn
Conn D-4**

Note: All connections shown are to be used for concept design only

Connection Details for Multistory Wall Panels Connected to a Concrete Structure